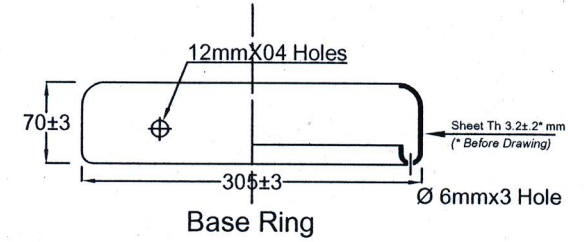
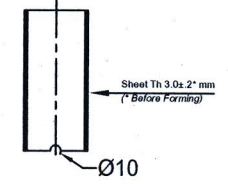


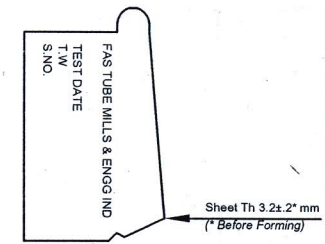
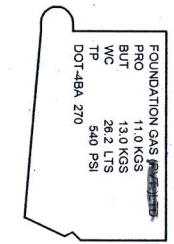
ACCESSORIES



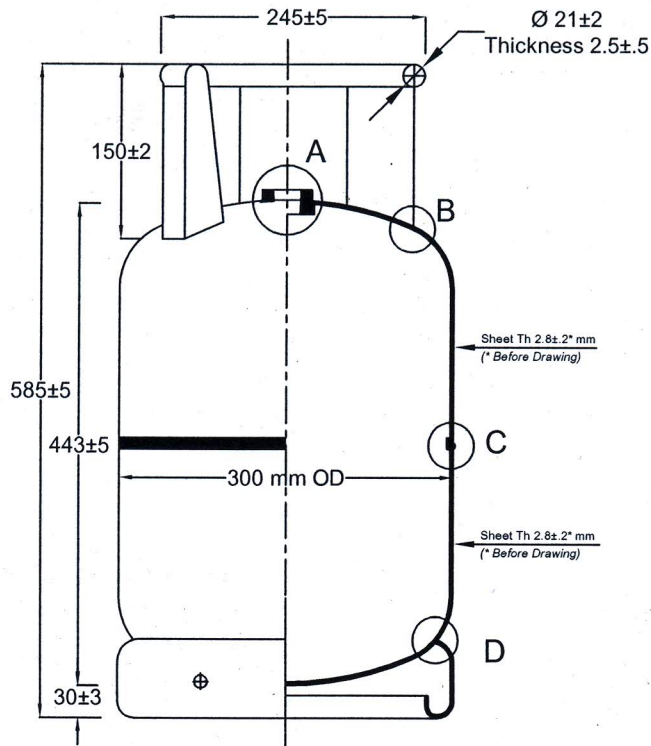
Base Ring



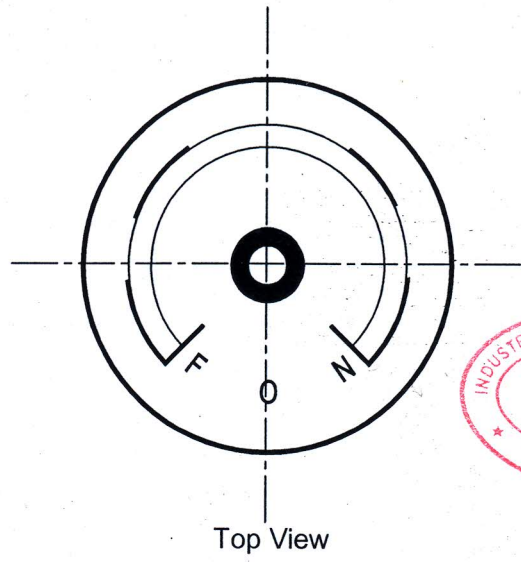
Shroud Back Strip



Shroud Front Bracket



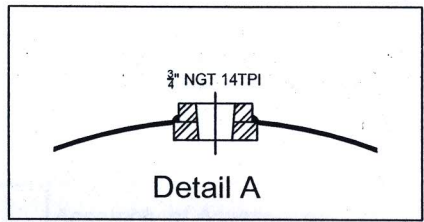
Front View



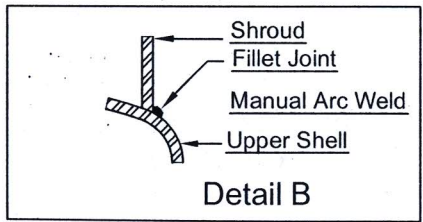
Top View



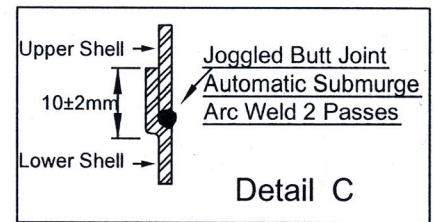
NOTE:
Thicknesses indicated are nominal and are subject to the standard variations, plus or minus, as applicable to rolled products of Pakistan Steel, Karachi.



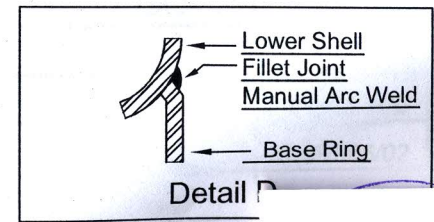
Detail A



Detail B



Detail C



Detail D

Client: Foundation Gas (Pvt.) Ltd

Construction As Per - DOT- 4BA 270

Cylinder Specification	Wt. Cap-	26.2 (Ltr min)
	Butane -	13.0 Kg
	Propane -	11.0 Kg
	Test Press. -	540 Psi
	Burst Press. -	1080 Psi (Min)
	Leak Test. -	100 Psi
	Tare WT -	