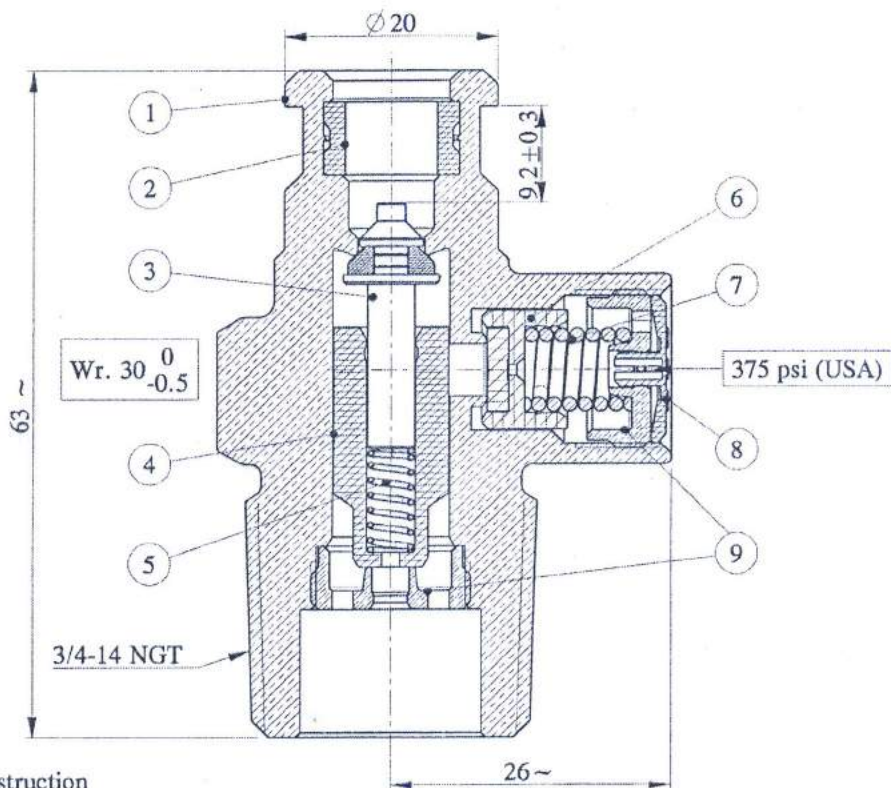


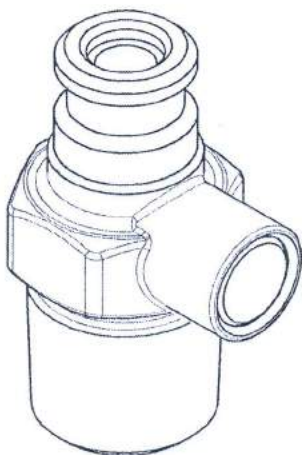
This drawing cannot be reproduced nor given to a third party without a written authorization by CAVAGNA GROUP ASIA



Markings :

- Cavagna Group symbol
- Y, two last figures of year of construction and number of the week.
(Ex. Y12-10 = the tenth week of the year 2012)
- 66B93
- G.52
- PRV375G
- DO NOT ADJUST
- UL Symbol
- FONGAS

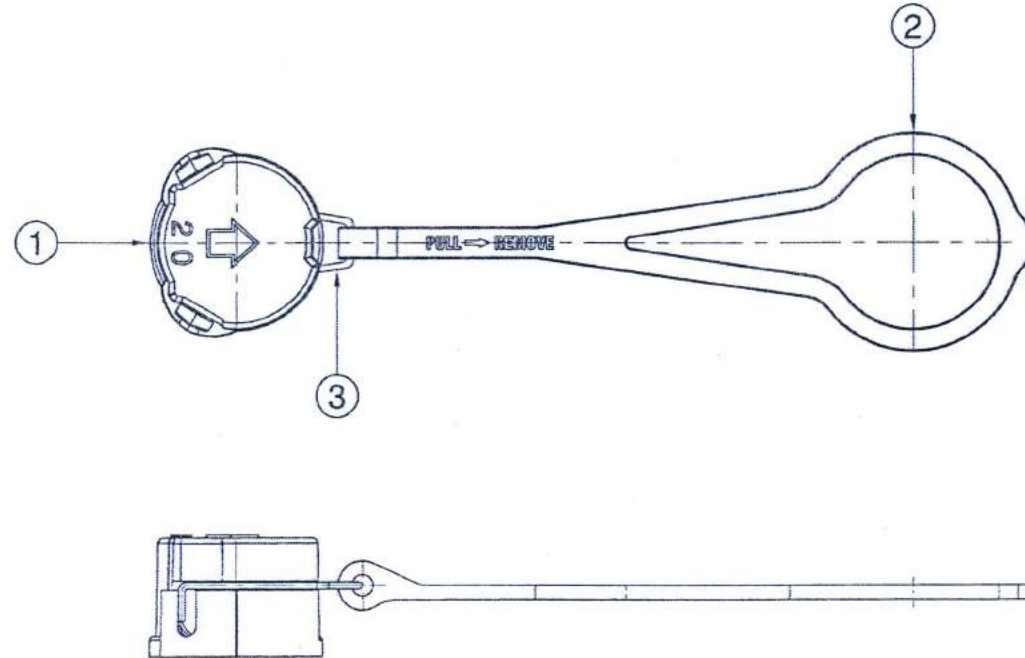
Note: PRV375G = 375 - 480 - 133
 375 PSI set pressure = 480 PSI flow rating pressure - 133 scfm flow capacity
 133 scfm = 4 m3/min



9	Spring retainer	2	0801100007
8	Sealing cap - Red Ral 3020	1	1601101019
7	Spring	1	0701100004
6	Assembled piston	1	0309500014
5	Spring	1	0701100016
4	Spindle guide	1	0301105002
3	Assembled piston	1	0309500083
2	Gasket	1	0401102524
1	Machined body	1	01B1500006
POS	DENOMINATION	Q.	DRAW NR.

DESCRIPTION		Compact valve D. 20					
cavagna group asia	GEN. TOLL. ±-	GEN. FILL. R -	ANG. TOLL. ±-	DRAFT -	SCALE 3:2	SHEET 1 / 1	
	RESPONS.	DRAWN		ISSUE		MATERIAL	
	DATE	15-03-17		15-03-17		/	
	SIGNATURE	Zanni		Treccani			
	ACTIVITY	NUMBER	PROJECT	REFERENCE	DRAW NUMBER		
	22873	21993	/	66B2900086			
	SIGN.	REFERENCE					
	INDEX	A2	XXXXX	XXXXX			

ITEM	DESCRIPTION	PART No.
1	PROTECTION CAP 20 mm.	320004
2	STRAP	321166
3	STAINLESS WIRE FOR 21 mm.	340008



CAVAGNA GROUP ASIA LTD.	DRAWN	19-09-15	NAME	REV No.
TITLE: PROTECTION CAP 20 mm. SET #2	CHECKED	19-09-15	<i>F. P. P. U. P. P.</i>	2
DWG No. SVM 020 001 12 2	APPROVED	19-09-15		19-09-15
MATERIAL:	PART No.	500096	SCALE	REFERENCE
			1:1	ECN.No 8-0-15
				DETAIL 1
				PAGE 1 OF 1 PAGES

ORIGINAL